

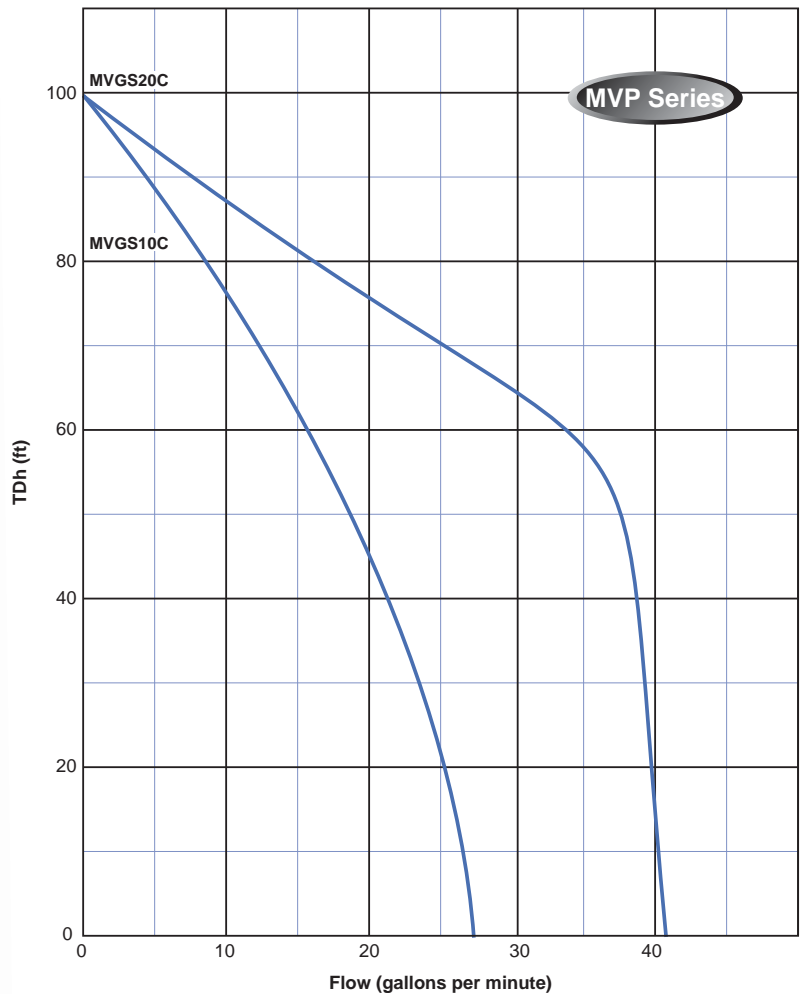


**2 YEAR  
WARRANTY**



### Product Features:

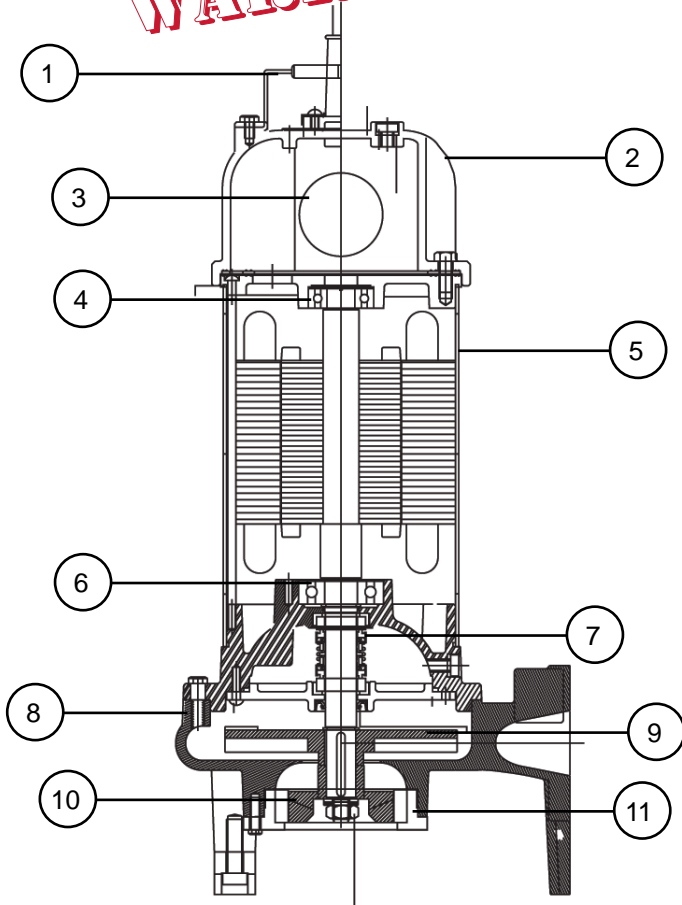
- Heads up to 100' TDH
- Constructed from 304 SS and Cast Iron
- Hardened, anti wear grinding ring and cutter
- Recessed, cast iron vortex impeller, which reduces the load on the bearing
- Double mechanical seals for better motor protection
- Potted epoxy cord seal to prevent water intrusion
- Available in pre-packaged basin
- Available with thread connection or with rail kit
- Comes standard with 20' cord






Visit : [www.Webtrol.com](http://www.Webtrol.com) to see our complete line of onsite products



**2 YEAR WARRANTY**



Featured Components		
Double Mechanical Seal	Cutter / Cutter Ring	Rail Kit
		

Specifications					
Model	HP	Volt	Discharge	Dimensions (L x W x H)	Weight
MVGS10CE	1	230	1.25"	16" x 12.5" x 28.5"	88 lbs.
MVGS20CE	2	230	1.25"	16" x 12.5" x 28.5"	88 lbs.

3 phase models coming soon.

Construction		
Number	Description	Material
1	Handle	304 SS
2	Top Cover	Cast Iron
3	Capacitor	_____
4	Top Bearing	_____
5	Motor Housing	304 SS
6	Bottom Bearing	_____
7	Double Mechanical Seal	Ceramic Carbon & Silicon Carbide
8	Pump Volute	Cast Iron
9	Impeller	Cast Iron
10	Cutter	Chrome Steel
11	Cutter Ring	Chrome Steel

Visit : [www.Webtrol.com](http://www.Webtrol.com) to see our complete line of onsite products